

# 74F579

## 8-Bit Bidirectional Binary Counter with 3-STATE Outputs

### General Description

The 74F579 is a fully synchronous 8-stage up/down counter with multiplexed 3-STATE I/O ports for bus-oriented applications. It features a preset capability for programmable operation, carry lookahead for easy cascading and a U/D input to control the direction of counting. All state changes, whether in counting or parallel loading, are initiated by the rising edge of the clock.

### Features

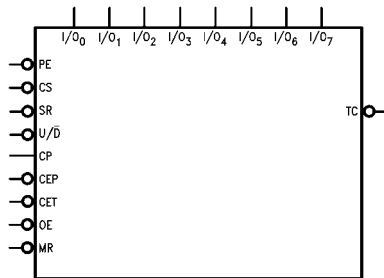
- Multiplexed 3-STATE I/O ports
- Built-in lookahead carry capability
- Count frequency 100 MHz typical
- Supply current 75 mA typical
- Guaranteed 4000V minimum ESD protection

### Ordering Code:

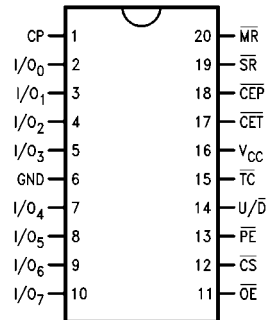
Order Number	Package Number	Package Description
74F579SC	M20B	20-Lead Small Outline Integrated Circuit (SOIC), JEDEC MS-013, 0.300" Wide
74F579SJ	M20D	20-Lead Small Outline Package (SOP), EIAJ TYPE II, 5.3mm Wide
74F579PC	N20A	20-Lead Plastic Dual-In-Line Package (PDIP), JEDEC MS-001, 0.300 Wide

Devices also available in Tape and Reel. Specify by appending the suffix letter "X" to the ordering code.

### Logic Symbol



### Connection Diagram



74F579 8-Bit Bidirectional Binary Counter with 3-STATE Outputs

## Unit Loading/Fan Out

Pin Names	Description	U.L. HIGH/LOW	Input $I_{IH}/I_{IL}$ Output $I_{OH}/I_{OL}$
I/O <sub>0</sub> -I/O <sub>7</sub>	Data Inputs or 3-STATE Outputs	3.5/0.333 75/15	70 $\mu$ A/-0.2 mA -3 mA/24 mA
$\overline{PE}$	Parallel Enable Input (Active LOW)	0.25/0.333	5 $\mu$ A/-0.2 mA
$\overline{U/D}$	Up-Down Count Control Input	0.25/0.333	5 $\mu$ A/-0.2 mA
$\overline{MR}$	Master Reset Input (Active LOW)	0.25/0.333	5 $\mu$ A/-0.2 mA
$\overline{SR}$	Synchronous Reset Input (Active LOW)	0.25/0.333	5 $\mu$ A/-0.2 mA
$\overline{CEP}$	Count Enable Parallel Input (Active LOW)	0.25/0.333	5 $\mu$ A/-0.2 mA
$\overline{CET}$	Count Enable Trickle Input (Active LOW)	0.25/0.333	5 $\mu$ A/-0.2 mA
$\overline{CS}$	Chip Select Input Active (Active LOW)	0.25/0.333	5 $\mu$ A/-0.2 mA
$\overline{OE}$	Output Enable Input (Active LOW)	0.25/0.333	5 $\mu$ A/-0.2 mA
CP	Clock Pulse Input (Active Rising Edge)	0.25/0.333	5 $\mu$ A/-0.2 mA
$\overline{TC}$	Terminal Count Output (Active LOW)	25/12.5	-1 mA/5 mA

## Function Table

$\overline{MR}$	$\overline{SR}$	$\overline{CS}$	$\overline{PE}$	$\overline{CEP}$	$\overline{CET}$	$\overline{U/D}$	$\overline{OE}$	CP	Function
X	X	H	X	X	X	X	X	X	I/O <sub>a</sub> to I/O <sub>h</sub> in High Z ( $\overline{PE}$ Disabled)
X	X	L	H	X	X	X	H	X	I/O <sub>a</sub> to I/O <sub>h</sub> in High Z
X	X	L	H	X	X	X	L	X	Flip-Flop Outputs Appear on I/O Lines
L	X	X	X	X	X	X	X	X	Asynchronous Reset for all Flip-Flops
H	L	X	X	X	X	X	X	$\nearrow$	Synchronous Reset for all Flip-Flops
H	H	L	L	X	X	X	X	$\nearrow$	Parallel Load all Flip-Flops
H	H	(Not LL)	H	X	X	X	X	$\nearrow$	Hold
H	H	(Not LL)	X	H	X	X	X	$\nearrow$	Hold ( $\overline{TC}$ Held HIGH)
H	H	(Not LL)	L	L	H	X	X	$\nearrow$	Count Up
H	H	(Not LL)	L	L	L	X	X	$\nearrow$	Count Down

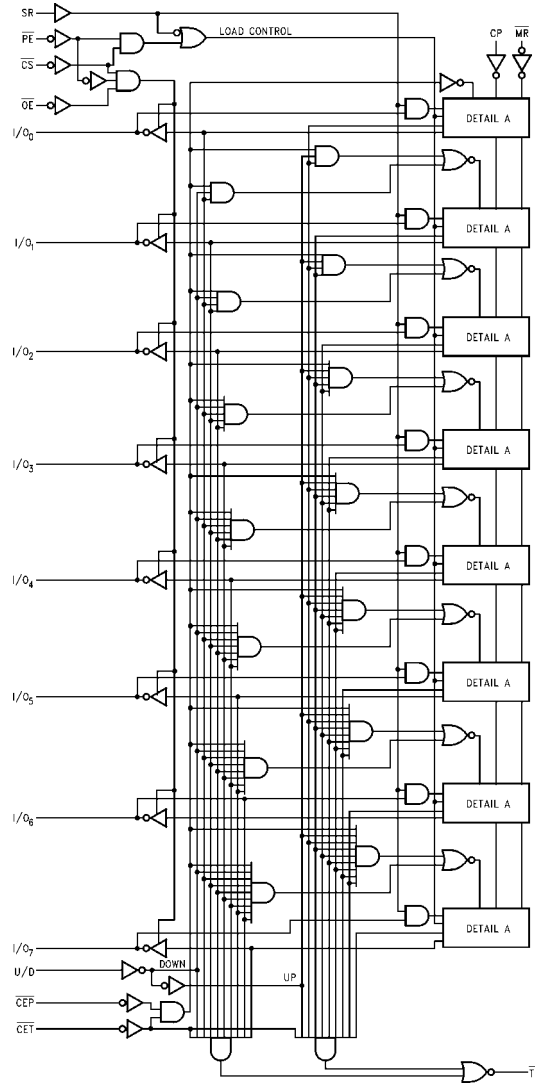
H = HIGH Voltage Level

L = LOW Voltage Level

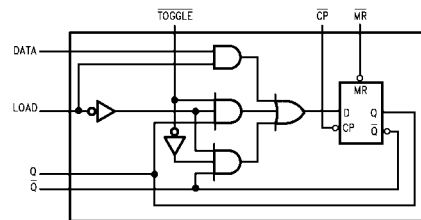
X = Immaterial

 $\nearrow$  = LOW to HIGH Clock TransitionNot LL =  $\overline{CS}$  and  $\overline{PE}$  should never both be LOW voltage level at the same time.

Logic Diagrams



Please note that this diagram is provided only for the understanding of logic operations and should not be used to estimate propagation delays.



V<sub>CC</sub> = Pin 16      GND = Pin 6      () = Pin Numbers

Detail A

**Absolute Maximum Ratings** (Note 1)

Storage Temperature	-65°C to +150°C
Ambient Temperature under Bias	-55°C to +125°C
Junction Temperature under Bias	-55°C to +150°C
V <sub>CC</sub> Pin Potential to Ground Pin	-0.5V to +7.0V
Input Voltage (Note 2)	-0.5V to +7.0V
Input Current (Note 2)	-30 mA to +5.0 mA
Voltage Applied to Output in HIGH State (with V <sub>CC</sub> = 0V)	
Standard Output	-0.5V to V <sub>CC</sub>
3-STATE Output	-0.5V to +5.5V
Current Applied to Output in LOW State (Max)	twice the rated I <sub>OL</sub> (mA)
ESD Last Passing Voltage (Min)	4000V

**Recommended Operating Conditions**

Free Air Ambient Temperature	0°C to +70°C
Supply Voltage	+4.5V to +5.5V

**Note 1:** Absolute maximum ratings are values beyond which the device may be damaged or have its useful life impaired. Functional operation under these conditions is not implied.

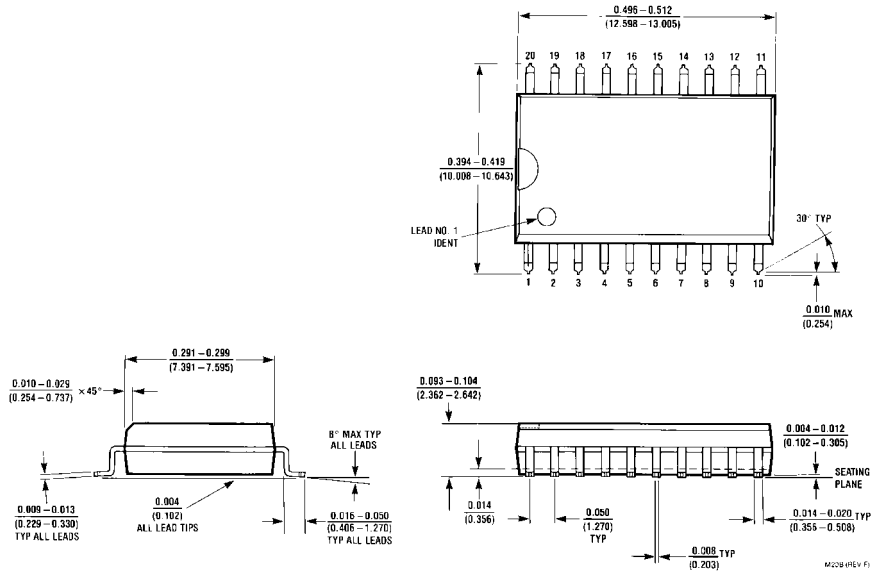
**Note 2:** Either voltage limit or current limit is sufficient to protect inputs.

**DC Electrical Characteristics**

Symbol	Parameter	Min	Typ	Max	Units	V <sub>CC</sub>	Conditions
V <sub>IH</sub>	Input HIGH Voltage	2.0			V		Recognized as a HIGH Signal
V <sub>IL</sub>	Input LOW Voltage			0.8	V		Recognized as a LOW Signal
V <sub>CD</sub>	Input Clamp Diode Voltage			-1.2	V	Min	I <sub>IN</sub> = -18 mA
V <sub>OH</sub>	Output HIGH Voltage	10% V <sub>CC</sub> 5% V <sub>CC</sub>	2.4 2.7		V	Min	I <sub>OH</sub> = -3 mA
V <sub>OL</sub>	Output LOW Voltage	10% V <sub>CC</sub> 5% V <sub>CC</sub>		0.5 0.5	V	Min	I <sub>OL</sub> = 20 mA (T <sub>C</sub> ), I <sub>OL</sub> = 24 mA (I/O <sub>n</sub> ) I <sub>OL</sub> = 20 mA (T <sub>C</sub> ), I <sub>OL</sub> = 24 mA (I/O <sub>n</sub> )
I <sub>IH</sub>	Input HIGH Current			5.0	μA	Max	V <sub>IN</sub> = 2.7V (Non-I/O Pins)
I <sub>BVI</sub>	Input HIGH Current Breakdown Test			7.0	μA	Max	V <sub>IN</sub> = 7.0V (Non-I/O Pins)
I <sub>BVIT</sub>	Input HIGH Current Breakdown (I/O)			0.5	mA	Max	V <sub>IN</sub> = 5.5V (I/O <sub>n</sub> )
I <sub>CEX</sub>	Output HIGH Leakage Current			50	μA	Max	V <sub>OUT</sub> = V <sub>CC</sub>
V <sub>ID</sub>	Input Leakage Test	4.75			V	0.0	I <sub>ID</sub> = 1.9 μA All Other Pins Grounded
I <sub>OD</sub>	Output Leakage Circuit Control			3.75	μA	0.0	V <sub>IOD</sub> = 150 mV All Other Pins Grounded
I <sub>ZZ</sub>	Bus Drainage Test		500		μA	0.0	V <sub>OUT</sub> = 5.25V
I <sub>IL</sub>	Input LOW Current			-0.2	mA	Max	V <sub>IN</sub> = 0.5V (Non-I/O Pins)
I <sub>IH</sub> & I <sub>OZH</sub>	Output Leakage Current			70	μA	Max	V <sub>OUT</sub> = 2.7V (I/O <sub>n</sub> )
I <sub>IL</sub> & I <sub>OZL</sub>	Output Leakage Current			-200	μA	Max	V <sub>OUT</sub> = 0.5V (I/O <sub>n</sub> )
I <sub>OS</sub>	Output Short-Circuit Current	-60		-150	mA	Max	V <sub>OUT</sub> = 0V
I <sub>CCH</sub>	Power Supply Current		70	110	mA	Max	V <sub>O</sub> = HIGH
I <sub>CCL</sub>	Power Supply Current		85	120	mA	Max	V <sub>O</sub> = LOW
I <sub>CCZ</sub>	Power Supply Current		85	125	mA	Max	V <sub>O</sub> = HIGH Z

AC Electrical Characteristics							
Symbol	Parameter	T <sub>A</sub> = +25°C V <sub>CC</sub> = +5.0V C <sub>L</sub> = 50 pF			T <sub>A</sub> = 0°C to +70°C V <sub>CC</sub> = +5.0V C <sub>L</sub> = 50 pF		Units
		Min	Typ	Max	Min	Max	
f <sub>MAX</sub>	Maximum Clock Frequency	70	85		80		
t <sub>PLH</sub>	Propagation Delay	3.0	5.0	7.5	3.0	8.0	ns
t <sub>PHL</sub>	CP to I/O <sub>n</sub>	5.0	8.0	11.5	5.0	11.5	
t <sub>PLH</sub>	Propagation Delay	5.0	7.5	11.5	5.0	12.0	ns
t <sub>PHL</sub>	CP to $\overline{TC}$	5.0	7.0	11.5	5.0	12.0	
t <sub>PLH</sub>	Propagation Delay	4.5	7.0	9.0	4.5	10.0	ns
t <sub>PHL</sub>	U/ $\overline{D}$ to $\overline{TC}$	4.5	8.0	9.5	4.5	10.0	
t <sub>PLH</sub>	Propagation Delay	2.5	3.8	6.0	2.5	6.5	ns
t <sub>PHL</sub>	CEP or CET to TC	3.5	6.0	8.0	3.5	8.5	
t <sub>PHL</sub>	Propagation Delay	5.0	7.5	10.0	5.0	10.0	ns
t <sub>PHL</sub>	Propagation Delay	6.5	10.0	13.0	6.5	13.5	ns
t <sub>PZH</sub>	Output Enable Time	3.0	5.0	8.5	3.0	9.0	ns
t <sub>PZL</sub>	$\overline{CS}$ or $\overline{PE}$ to I/O	5.5	8.0	10.5	5.5	11.5	
t <sub>PHZ</sub>	Output Disable Time	2.0	5.0	8.5	2.0	9.0	ns
t <sub>PLZ</sub>	$\overline{CS}$ or $\overline{PE}$ to I/O	2.0	4.5	8.0	2.0	8.5	
t <sub>PZH</sub>	Output Enable Time	3.0	5.0	8.0	3.0	8.5	ns
t <sub>PZL</sub>	$\overline{OE}$ to I/O <sub>n</sub>	5.0	8.0	11.0	5.0	12.0	
t <sub>PHZ</sub>	Output Disable Time	2.0	4.0	6.5	2.0	6.5	ns
t <sub>PLZ</sub>	$\overline{OE}$ to I/O <sub>n</sub>	2.0	4.0	6.0	2.0	6.5	
AC Operating Requirements							
Symbol	Parameter	T <sub>A</sub> = +25°C V <sub>CC</sub> = +5.0V			T <sub>A</sub> = 0°C to +70°C V <sub>CC</sub> = +5.0V		Units
		Min	Typ	Max	Min	Max	
t <sub>S</sub> (H)	Setup Time	4.0			4.0		ns
t <sub>S</sub> (L)	I/O <sub>n</sub> to CP	4.0			4.0		
t <sub>H</sub> (H)	Hold Time	0.0			0.0		ns
t <sub>H</sub> (L)	I/O <sub>n</sub> to CP	0.0			0.0		
t <sub>S</sub> (H)	Setup Time	9.5			9.5		ns
t <sub>S</sub> (L)	$\overline{PE}$ , $\overline{CS}$ or $\overline{SR}$ to CP	9.5			9.5		
t <sub>H</sub> (H)	Hold Time	0.0			0.0		ns
t <sub>H</sub> (L)	$\overline{PE}$ , $\overline{CS}$ or $\overline{SR}$ to CP	0.0			0.0		
t <sub>S</sub> (H)	Setup Time	6.5			6.5		ns
t <sub>S</sub> (L)	CET or CEP to CP	9.5			9.5		
t <sub>H</sub> (H)	Hold Time	0.0			0.0		ns
t <sub>H</sub> (L)	$\overline{CET}$ or $\overline{CEP}$ to CP	0.0			0.0		
t <sub>S</sub> (H)	Setup Time	9.0			9.5		ns
t <sub>S</sub> (L)	U/ $\overline{D}$ to CP	9.0			9.5		
t <sub>H</sub> (H)	Hold Time	0.0			0.0		ns
t <sub>H</sub> (L)	U/ $\overline{D}$ to CP	0.0			0.0		
t <sub>W</sub> (H)	Clock Pulse Width	4.5			4.5		ns
t <sub>W</sub> (L)	HIGH or LOW	4.5			4.5		
t <sub>W</sub> (L)	$\overline{MR}$ Pulse Width	3.0			3.0		ns
t <sub>REC</sub>	Recovery Time	4.0			4.0		ns
	$\overline{MR}$ to CP						

**Physical Dimensions** inches (millimeters) unless otherwise noted



**20-Lead Small Outline Integrated Circuit (SOIC), JEDEC MS-013, 0.300" Wide  
Package Number M20B**

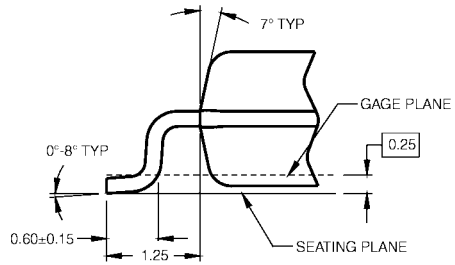
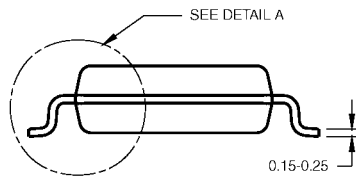
**Physical Dimensions** inches (millimeters) unless otherwise noted (Continued)



LAND PATTERN RECOMMENDATION



DIMENSIONS ARE IN MILLIMETERS



DETAIL A

- NOTES:  
 A. CONFORMS TO EIAJ EDR-7320 REGISTRATION, ESTABLISHED IN DECEMBER, 1998.  
 B. DIMENSIONS ARE IN MILLIMETERS.  
 C. DIMENSIONS ARE EXCLUSIVE OF BURRS, MOLD FLASH, AND TIE BAR EXTRUSIONS.

M20DRevB1

**20-Lead Small Outline Package (SOP), EIAJ TYPE II, 5.3mm Wide  
 Package Number M20D**

**Physical Dimensions** inches (millimeters) unless otherwise noted (Continued)



N20A (REV G)

**20-Lead Plastic Dual-In-Line Package (PDIP), JEDEC MS-001, 0.300 Wide  
Package Number N20A**

Fairchild does not assume any responsibility for use of any circuitry described, no circuit patent licenses are implied and Fairchild reserves the right at any time without notice to change said circuitry and specifications.

**LIFE SUPPORT POLICY**

FAIRCHILD'S PRODUCTS ARE NOT AUTHORIZED FOR USE AS CRITICAL COMPONENTS IN LIFE SUPPORT DEVICES OR SYSTEMS WITHOUT THE EXPRESS WRITTEN APPROVAL OF THE PRESIDENT OF FAIRCHILD SEMICONDUCTOR CORPORATION. As used herein:

1. Life support devices or systems are devices or systems which, (a) are intended for surgical implant into the body, or (b) support or sustain life, and (c) whose failure to perform when properly used in accordance with instructions for use provided in the labeling, can be reasonably expected to result in a significant injury to the user.
2. A critical component in any component of a life support device or system whose failure to perform can be reasonably expected to cause the failure of the life support device or system, or to affect its safety or effectiveness.

[www.fairchildsemi.com](http://www.fairchildsemi.com)