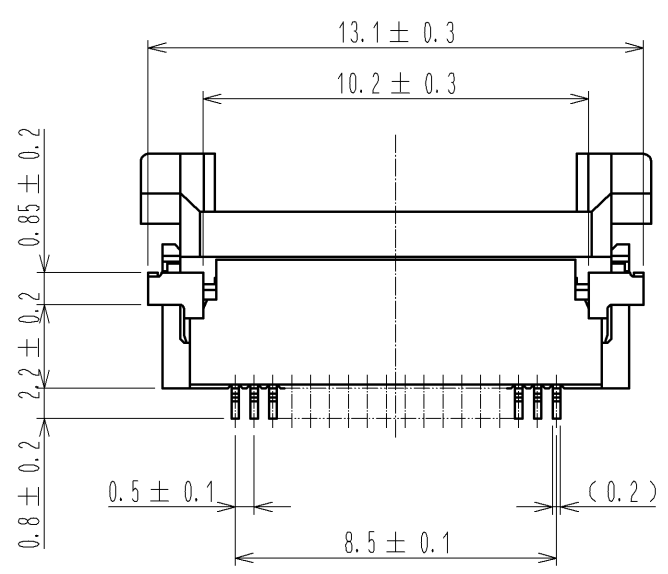
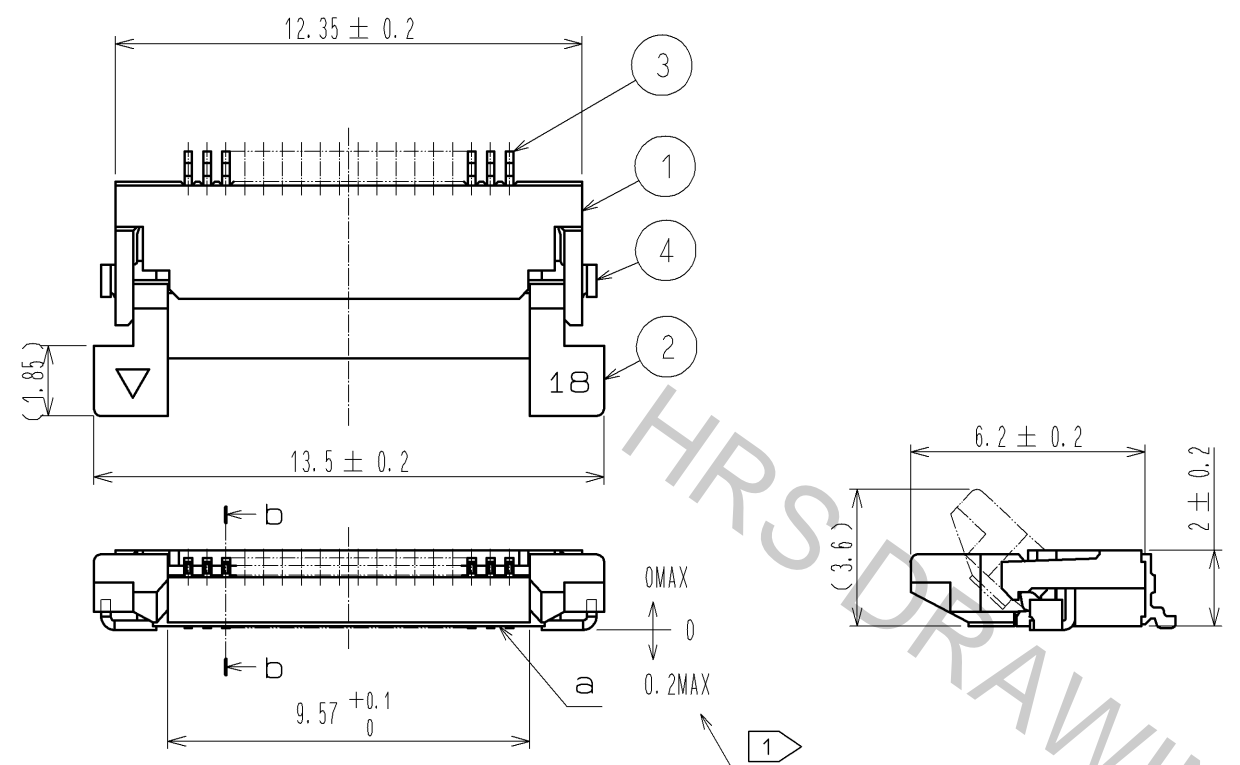
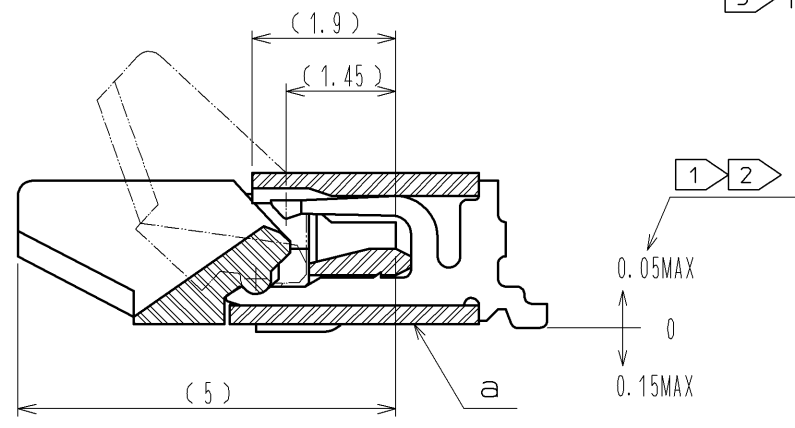


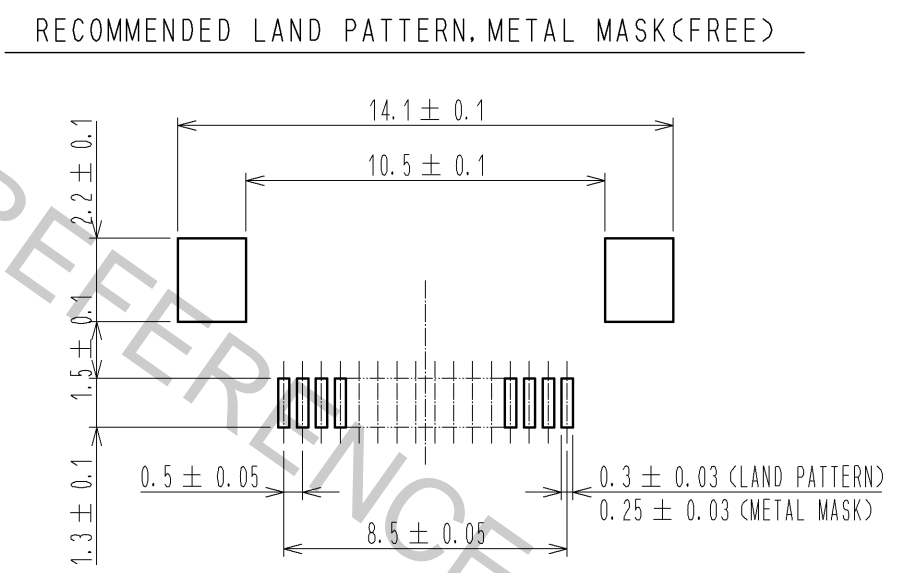
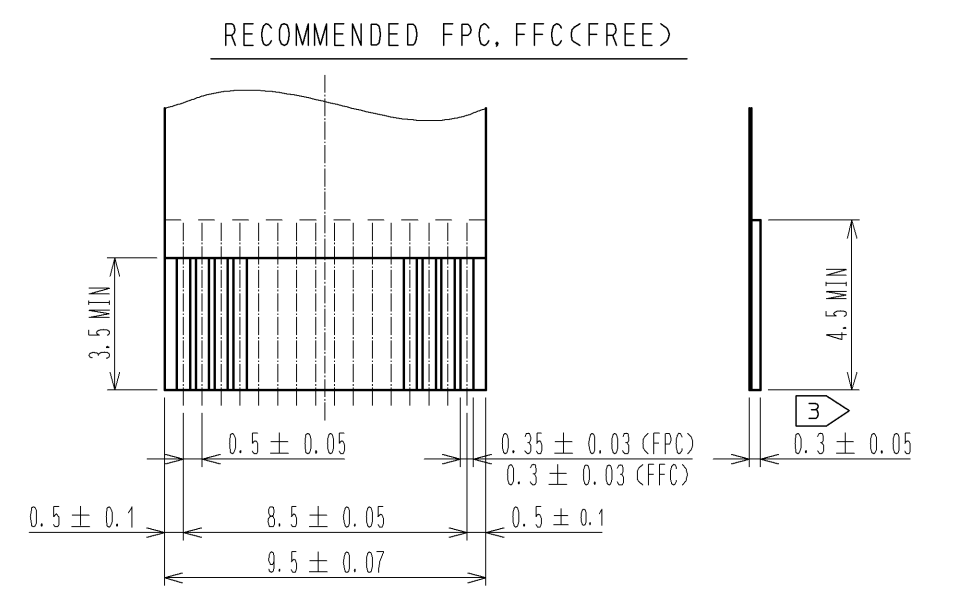
Apr.1.2017 Copyright 2017 HIROSE ELECTRIC CO., LTD. All Rights Reserved.



b-b (10 : 1)



- NOTE
- ① REFERENCE IS a.
 - ② LEAD CO-PLANARITY SHALL BE 0.1 MAX.
 - ③ THICKNESS OF SUPPORTING TAPE SHALL BE 0.188(7.5mil) MIN.

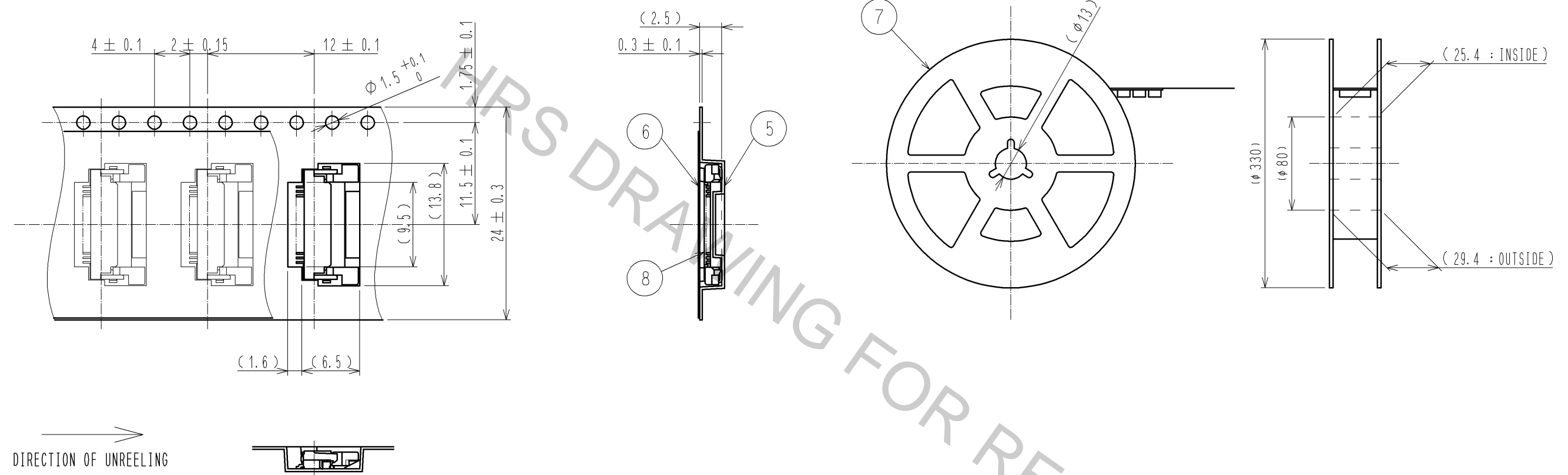


RECOMMENDED METAL MASK THICKNESS t=0.15

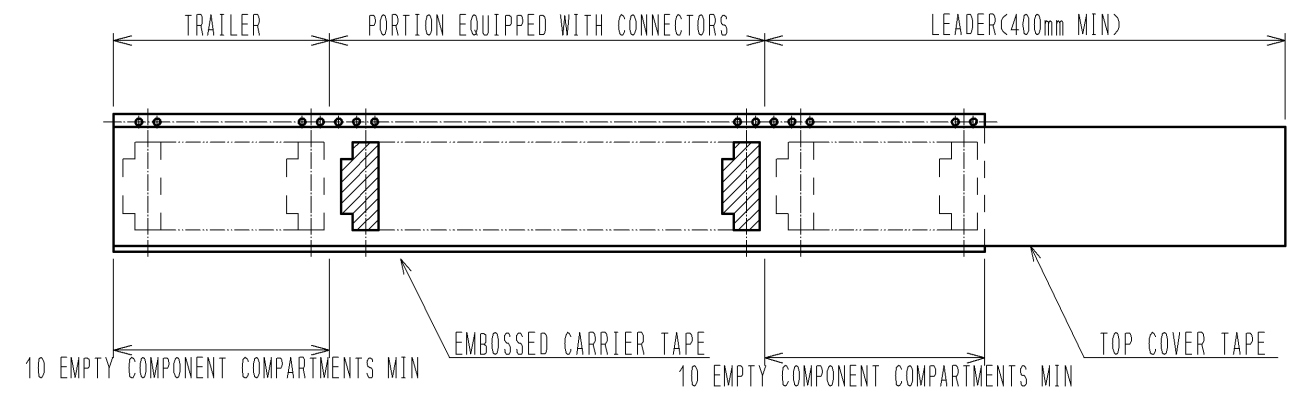
4	BRASS	TIN PLATING 1μmMIN OVER NICKEL 1μmMIN.	8	(CONNECTOR)	
3	PHOSPHOR BRONZE	GOLD PLATING 0.05μmMIN OVER NICKEL 1μmMIN.	7	POLYSTYRENE	
2	PPS	DEEP BROWN UL94V-0	6	POLYESTER	
1	POLYAMIDE	BEIGE UL94V-0	5	POLYSTYRENE	
NO.	MATERIAL	FINISH . REMARKS	NO.	MATERIAL	FINISH . REMARKS
UNITS	mm	SCALE	5 : 1	COUNT	1
DESCRIPTION OF REVISIONS			DESIGNED	CHECKED	DATE
DIS-F-003410			MK. YASUMI	FN. TAMURA	09.12.11
APPROVED : RI. TAKAYASU 08.09.02			DRAWING NO. EDC3-150553-51		
CHECED : HS. SAKAMOTO 08.09.01			PART NO. FH12A-18S-0.5SH(55)		
DESIGNED : MK. YASUMI 08.08.26			CODE NO. CL586-0553-7-55		
DRAWN : MK. YASUMI 08.08.26					

EMBOSSED CARRIER TAPE DIMENSION(2:1)

REEL DIMENSION(FREE)



→
DIRECTION OF UNREELING



NOTE 4 THE DIMENSIONS IN PARENTHESES ARE FOR REFERENCE.
5 1 REEL:2000 CONNECTORS.

<DRAWING FOR PACKING>

HRS	DRAWING NO.	EDC3-150553-51
	PART NO.	FH12A-18S-0.5SH(55)
	CODE NO.	CL586-0553-7-55
		2/2