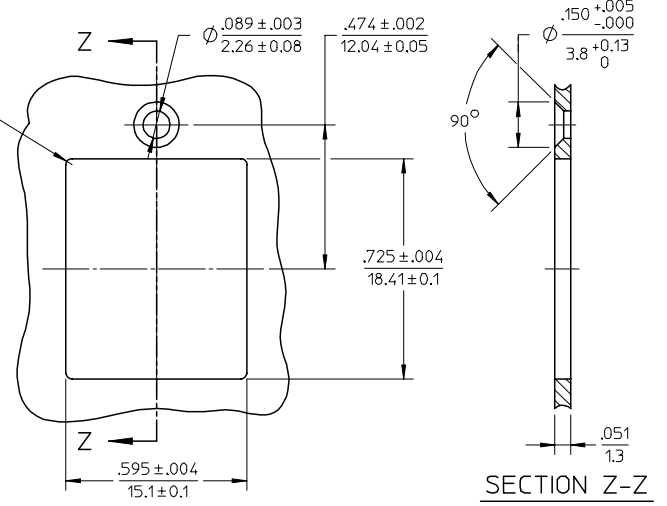
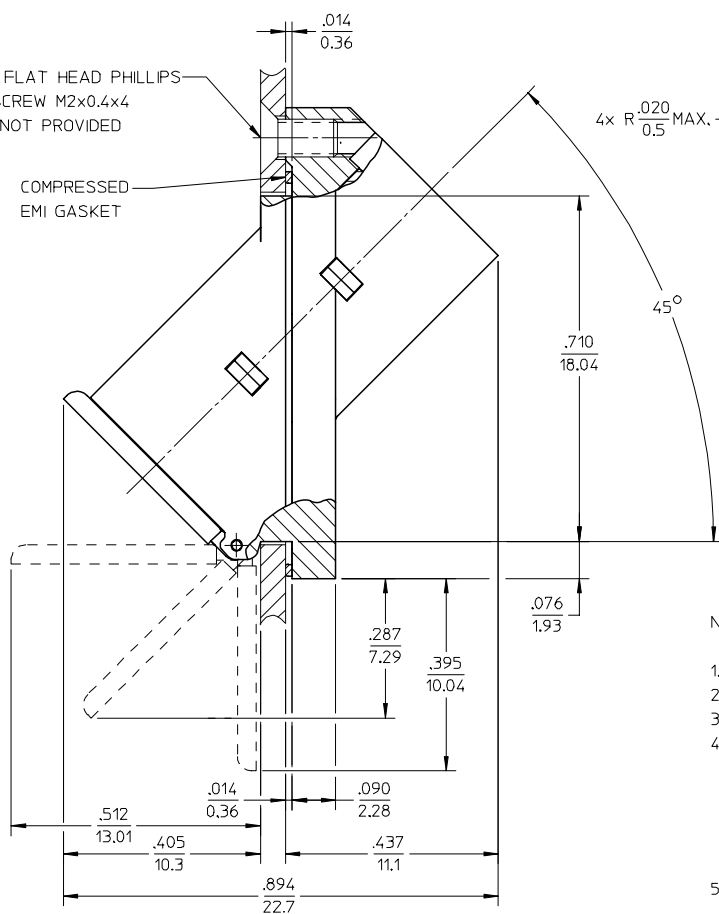
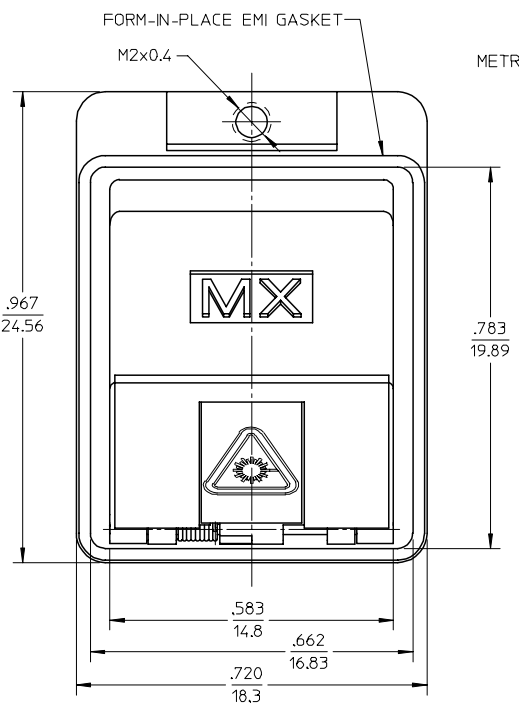


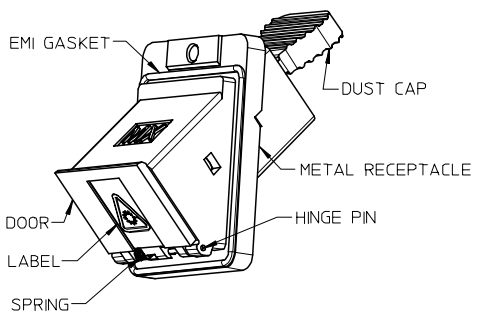
10 9 8 7 6 5 4 3 2 1

PANEL THICKNESS WITH PAINT



RECOMMENDED MOUNTING PATTERN  
SCALE 2.5:1

- NOTES:
1. ALL DIMENSIONS ARE IN INCH/MM.
  2. ALL DIMENSIONS ARE FOR REFERENCE.
  3. DUST CAP SHOWN IN ISOMETRIC VIEW ONLY.
  4. MATERIAL AND PLATING:
    - A. METAL RECEPTACLE AND DOOR - ZINC DIE CAST. PLATING - NICKEL.
    - B. TWO PLASTIC INSERTS (NOT SHOWN) - POLYETHER IMIDE (PEI), UL94 V-0.
    - C. EMI GASKET - SILICONE CONDUCTIVE ELASTOMER SNN 45.
    - D. LABEL - POLYESTER (UL 969).
  5. PACKAGING: FOR SHIPMENT OF THIS PRODUCT USE TRAY P/N 86934-1006 (NOT SHOWN).



ISO VIEW  
SCALE 2:1

TWO PLASTIC INSERTS NOT SHOWN

ENTER DESCRIPTION EC NO: MF2006-0075 DRWN: YBELENKIY 2005/08/22 CHKD: SM160 2005/08/22 APPR: IMAHLIN 2005/08/23	QUALITY SYMBOLS ▽=0 ▽=0	GENERAL TOLERANCES (UNLESS SPECIFIED)		DIMENSION STYLE IN/MM		SCALE 4:1	DESIGN UNITS INCH	THIRD ANGLE PROJECTION	
		mm	INCH	DRAWN BY YB	DATE 8.05.05	TITLE MPO EMI REAR MOUNT 45 DEGREE ADAPTER			
		4 PLACES ± ---	± ---	CHECKED BY SM	DATE 2005/08/05	MATERIAL NO. 1061140100			
		3 PLACES ± ---	± ---	APPROVED BY IM	DATE 2005/08/05	DOCUMENT NO. SD-106114-0100	SHEET NO. 1 OF 1		
2 PLACES ± ---	± ---	ANGULAR ± ---°		DRAFT WHERE APPLICABLE MUST REMAIN WITHIN DIMENSIONS					
1 PLACE ± ---	± ---	THIS DRAWING CONTAINS INFORMATION THAT IS PROPRIETARY TO MOLEX INCORPORATED AND SHOULD NOT BE USED WITHOUT WRITTEN PERMISSION							

9 8 7 6 5 4 3 2 1